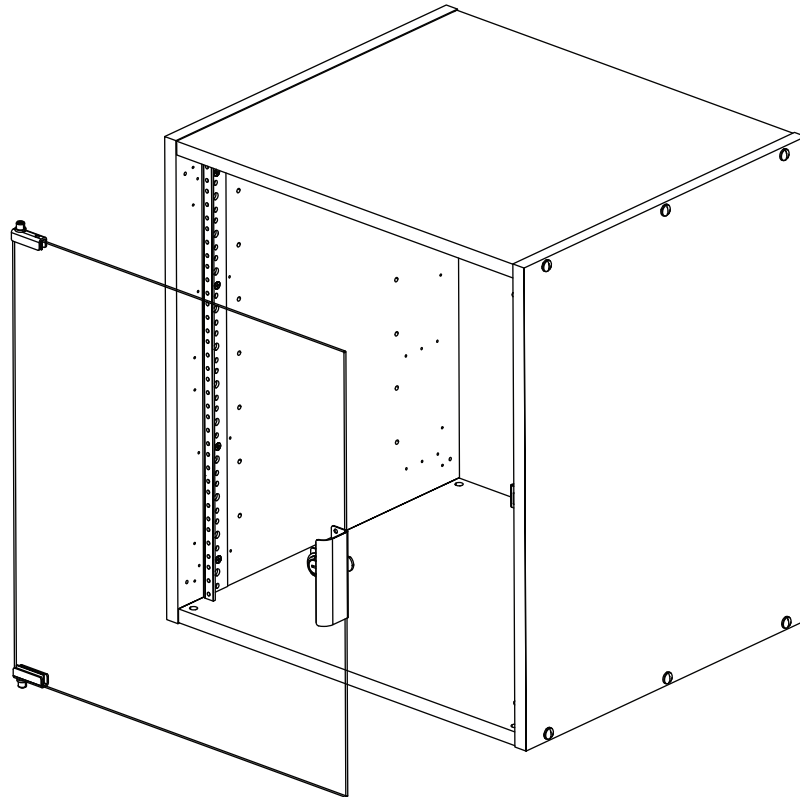


# INSTRUCTION SHEET

## RK-GDXX

### GLASS DOOR



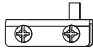


#### THANK YOU

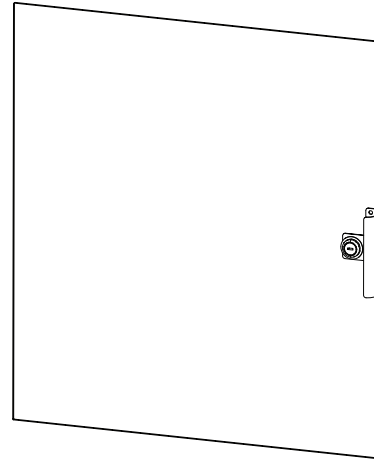
Thank you for purchasing the RK-GDXX Glass Door. Please read these instructions thoroughly before installing this product.

#### PRODUCT FEATURES

- Locking door provides security
- Smoked, tempered glass provides a clean look

## HARDWARE/ITEMS SUPPLIED

QTY		DESCRIPTION
2		Self-Adhesive Hinge Plate
2		Hinge
2		Pivot Bushing (.347" O.D.)
2		Pivot Bushing (.313 O.D.)
2		5/8" Pan Head Wood Screw
2		Stop Pin
1		Locking Bracket
1		Magnet



Door  
(QTY -1)

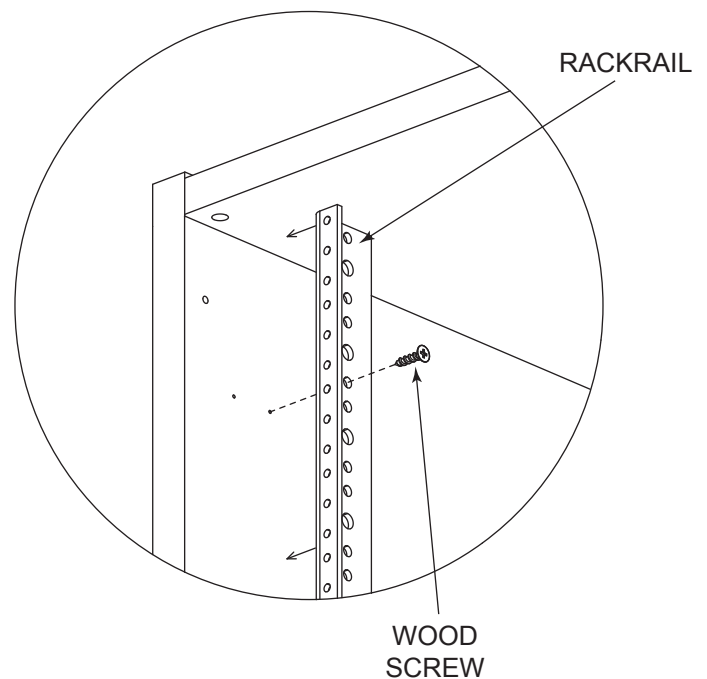
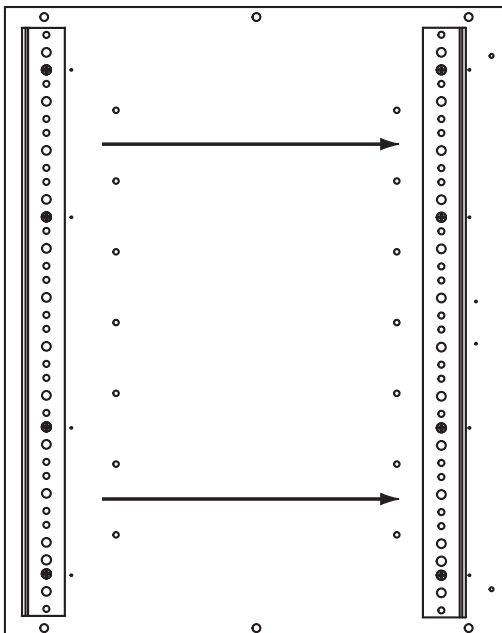
## TOOLS REQUIRED

# 2 Phillips Head Screwdriver or Power Driver with Bit



### BEFORE BEGINNING INSTALLATION

1) Move the rackrail to the recessed set of enclosure mounting holes using existing wood screws.

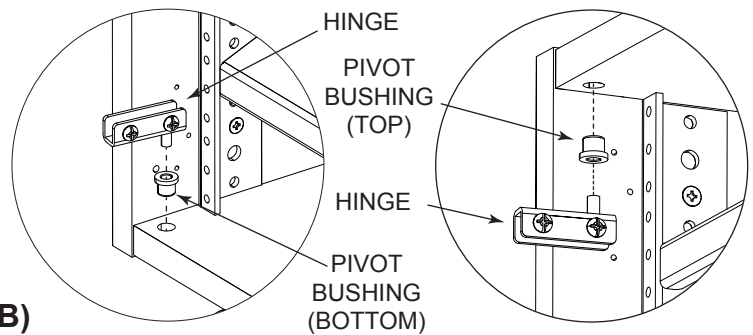


**NOTE:** When moving front rackrail to setback position, mount rail to recessed pilot holes on opposite end of side panel. This hides the original mounting holes from view.

## INSTALLATION

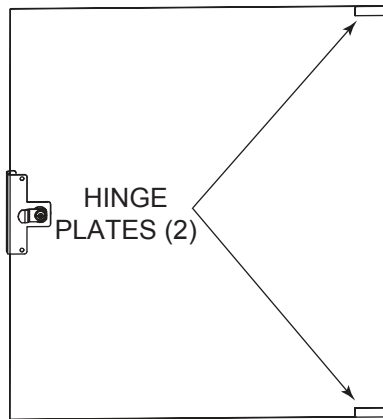
- 1) Determine desired hinge side and install pivot bushings in top and bottom of rack. **(FIGURE A)**

**NOTE:** Two bushing sizes are provided. Use appropriate size bushing for your rack.

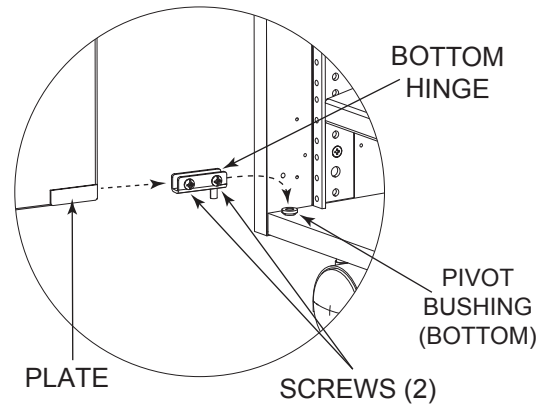


**FIGURE A**

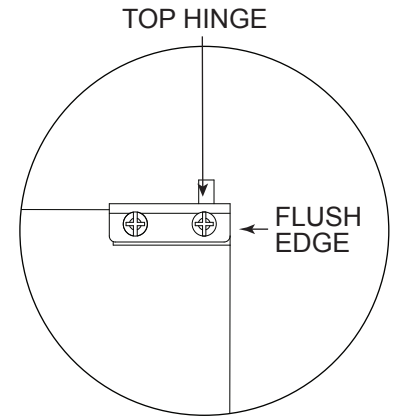
- 2) Remove adhesive backing and install both hinge plates on inside of glass door. **(FIGURE B)**



**FIGURE B**



**FIGURE C**



**FIGURE D**

- 3) Slide bottom hinge against door and adjust so that hinge is flush with edge of door. **(FIGURE C, FIGURE D)**

- 4) Tighten (2) screws to secure bottom hinge to hinge plate. **(FIGURE C)**

**NOTE:** Do not over tighten.

- 5) Pivot door into bottom pivot bushing. **(FIGURE C)**

- 6) Insert upper hinge into top pivot bushing and hold hinge in place with hand. **(FIGURE A)**

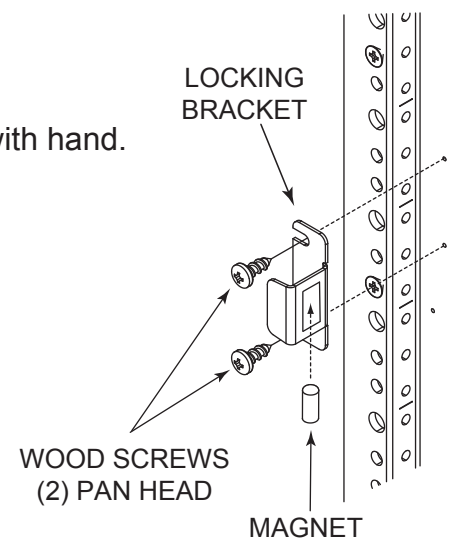
- 7) Slide door into top hinge and adjust position of door, so that hinge is flush with edge of door. **(FIGURE D)**

- 8) Tighten (2) screws to secure upper hinge to hinge plate.

**NOTE:** Do not over tighten.

- 9) If necessary, adjust hinges to balance door opening gaps.

- 10) Attach locking bracket opposite hinge side with (2) wood screws provided. Install magnet as shown. **(FIGURE E)**

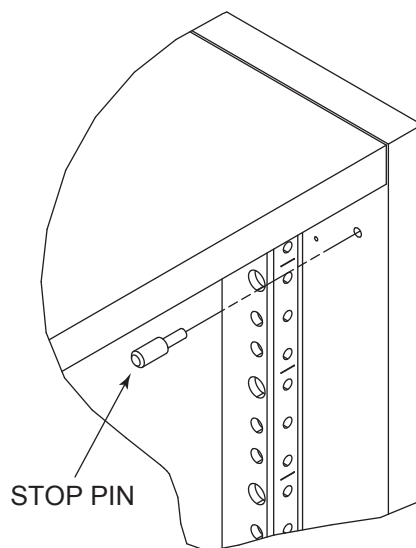


**FIGURE E**

## INSTALLATION (CONTINUED)

11) Install the top and bottom stop pins opposite hinge side as shown. **(FIGURE F)**

**NOTE:** Pivot bushings and stop pins designed to fit snug. Tap in with handle of screwdriver if necessary.



**FIGURE F**

### WARRANTY

Middle Atlantic Products (the "Company") warrants the RK-GDXX Glass Door to be free from defects in material or workmanship under normal use and conditions for a period of (1) year from date of shipment by the Company.

The Company's entire liability to the purchaser, and the purchaser's (or any other party's) sole and exclusive remedy, under this warranty shall be limited, at the Company's option, to either (a) return of and refund of the price paid for, or (b) repair or replacement at the Company's factory of the products purchased, or any part or parts thereof, which the Company has determined to be defective after inspection thereof at the Company's factory.

This warranty does not cover damage due to acts of God, accident, misuse, abuse or negligence by parties other than the Company, or any modification or alteration of the products. In addition, this warranty does not cover damage due to improper handling, assembly, installation or maintenance.

THIS WARRANTY IS IN LIEU OF ALL OTHER WARRANTIES OF ANY KIND, EITHER EXPRESSED OR IMPLIED, INCLUDING, BUT NOT LIMITED TO, IMPLIED WARRANTIES OF MERCHANTABILITY AND FITNESS FOR A PARTICULAR PURPOSE.

TO THE MAXIMUM EXTENT PERMITTED BY APPLICABLE LAW, IN NO EVENT SHALL THE COMPANY BE LIABLE FOR ANY SPECIAL, INCIDENTAL, INDIRECT, OR CONSEQUENTIAL DAMAGES WHATSOEVER (INCLUDING, WITHOUT LIMITATION, DAMAGES FOR LOSS OF BUSINESS PROFITS, BUSINESS INTERRUPTION OR ANY OTHER PECUNIARY LOSS) ARISING OUT OF THE USE OF THE PRODUCTS PURCHASED, EVEN IF THE COMPANY HAS BEEN ADVISED OF THE POSSIBILITY OF SUCH DAMAGES. THE COMPANY'S LIABILITY TO THE PURCHASER (OR ANY OTHER PARTY) HEREUNDER, IF ANY, SHALL IN NO EVENT EXCEED THE PURCHASE PRICE OF THE PRODUCTS PAID TO THE COMPANY.

### Corporate Headquarters

Corporate Voice 973-839-1011 - Fax 973-839-1976 / International Voice +1 973-839-8821 - Fax +1 973-839-4982  
middleatlantic.com - info@middleatlantic.com

### Middle Atlantic Canada

Voice 613-836-2501 - Fax 613-836-2690 / middleatlantic.ca - customerservicecanada@middleatlantic.ca

### Factory Distribution

USA: NJ - CA - IL Canada: ON - BC

**At Middle Atlantic Products we are always listening. Your comments are welcome.**

**Middle Atlantic Products is an ISO 9001 and ISO 14001 Registered Company.**